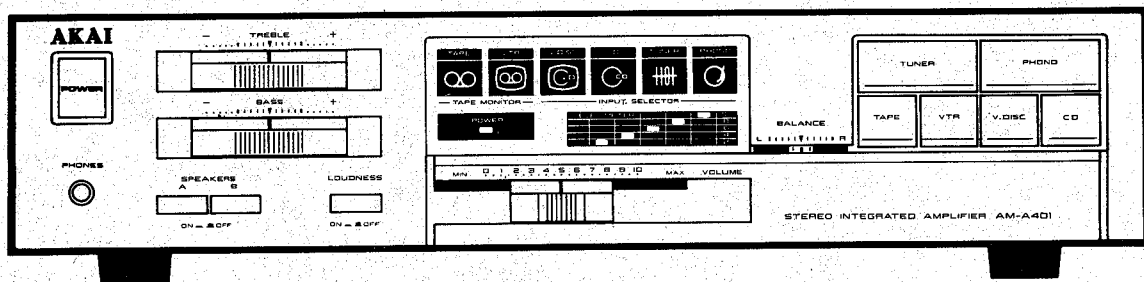


AKAI SERVICE MANUAL



STEREO INTEGRATED AMPLIFIER

MODEL **AM-A401**



STEREO INTEGRATED AMPLIFIER

MODEL **AM-A401**

SECTION 1	SERVICE MANUAL	3
SECTION 2	PARTS LIST	9

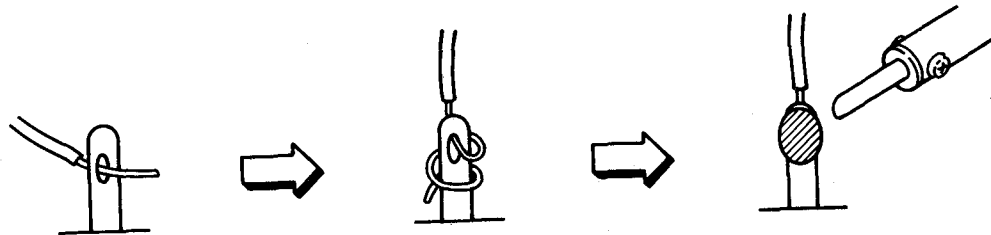
SAFETY INSTRUCTIONS

SAFETY CHECK AFTER SERVICING

Confirm the specified insulation resistance between power cord plug prongs and externally exposed parts of the set is greater than 10 Mohms, but for equipment with external antenna terminals (tuner, receiver, etc.) and is intended for **C** or **A**, specified insulation resistance should be more than 2.2 Mohms (ground terminals, microphone jacks, headphone jacks, line-in-out jacks etc.)

PRECAUTIONS DURING SERVICING

1. Parts identified by the Δ symbol parts are critical for safety.
Replace only with parts number specified.
2. In addition to safety, other parts and assemblies are specified for conformance with such regulations as those applying to spurious radiation. These must also be replaced only with specified replacements.
Examples: RF converters, tuner units, antenna selector switches, RF cables, noise blocking capacitors, noise blocking filters, etc.
3. Use specified internal wiring. Note especially:
 - 1) Wires covered with PVC tubing
 - 2) Double insulated wires
 - 3) High voltage leads
4. Use specified insulating materials for hazardous live parts. Note especially:
 - 1) Insulation Tape
 - 2) PVC tubing
 - 3) Spacers (Insulating Barriers)
 - 4) Insulation sheets for transistors
 - 5) Plastic screws for fixing microswitch (especially in turntable)
5. When replacing AC primary side components (transformers, power cords, noise blocking capacitors, etc.), wrap ends of wires securely about the terminals before soldering.



6. Observe that wires do not contact heat producing parts (heatsinks, oxide metal film resistors, fusible resistors, etc.).
7. Check that replaced wires do not contact sharp edged or pointed parts.
8. Also check areas surrounding repaired locations.
9. Use care that foreign objects (screws, solder droplets, etc.) do not remain inside the set.

SECTION 1

SERVICE MANUAL

TABLE OF CONTENTS

I. SPECIFICATIONS	4
II. DISMANTLING OF UNIT	5
III. CONTROLS	6
IV. PRINCIPAL PARTS LOCATION	7
V. ADJUSTMENT	7
1. LEVEL METER SENSITIVITY ADJUSTMENT	7
VI. PC BOARD TITLES AND IDENTIFICATION NUMBERS	8

For basic adjustments, measuring methods, and operating principles, refer to GENERAL TECHNICAL MANUAL.

I. SPECIFICATIONS

POWER AMPLIFIER SECTION

POWER OUTPUT (by FTC) 20Hz to 20kHz	8 ohms 80W/0.1%
MUSIC POWER (BOTH CHANNELS)	380W
POWER BANDWIDTH (IHF -3dB, 8 ohms)	10Hz to 60kHz (0.5%)
S/N (IHF-A)	PHONO 72dB CD/AUX 95dB
RESIDUAL NOISE (8 ohms)	0.5mV
CHANNEL SEPARATION (IHF, 1kHz)	45dB
DAMPING FACTOR (1kHz, 8 ohms)	30
REQUIRED SPEAKER IMPEDANCE	A or B: 8 to 16 ohms A and B: 8 to 16 ohms

VIDEO SECTION

INPUT SENSITIVITY/IMPEDANCE	VTR 1Vp-p/75 ohms V. DISC 1Vp-p/75 ohms
OUTPUT LEVEL/IMPEDANCE	1Vp-p/75 ohms

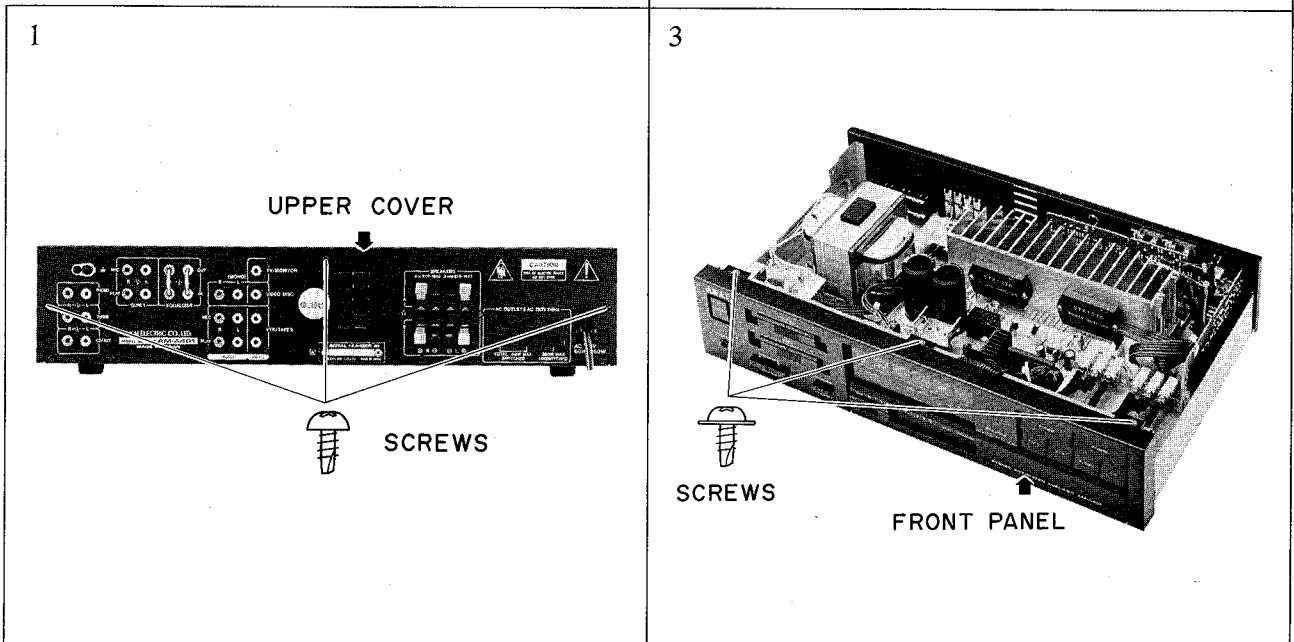
PRE AMPLIFIER SECTION

INPUT SENSITIVITY/IMPEDANCE	PHONO 2mV/47kohms AUX 150mV/47kohms TUNER 150mV/47kohms TAPE 150mV/47kohms VTR (AUDIO) 150mV/47kohms V. DISC (AUDIO) 150mV/47kohms
OUTPUT LEVEL/IMPEDANCE	TAPE REC 150mV/1kohms
FREQUENCY RESPONSE	PHONO (RIAA DEVIATION) ±0.5dB TUNER, AUX, TAPE 5Hz to 100kHz (-3dB)
TONE CONTROL	BASS ±8dB TREBLE ±8dB
PHONO MAX. INPUT LEVEL	120mV
POWER REQUIREMENTS	120V, 60Hz for USA & Canada
DIMENSIONS	440(W) × 100(H) × 267(D) mm (17.3 × 3.9 × 10.5 inches)
WEIGHT	6.7kg (14.8 lbs)

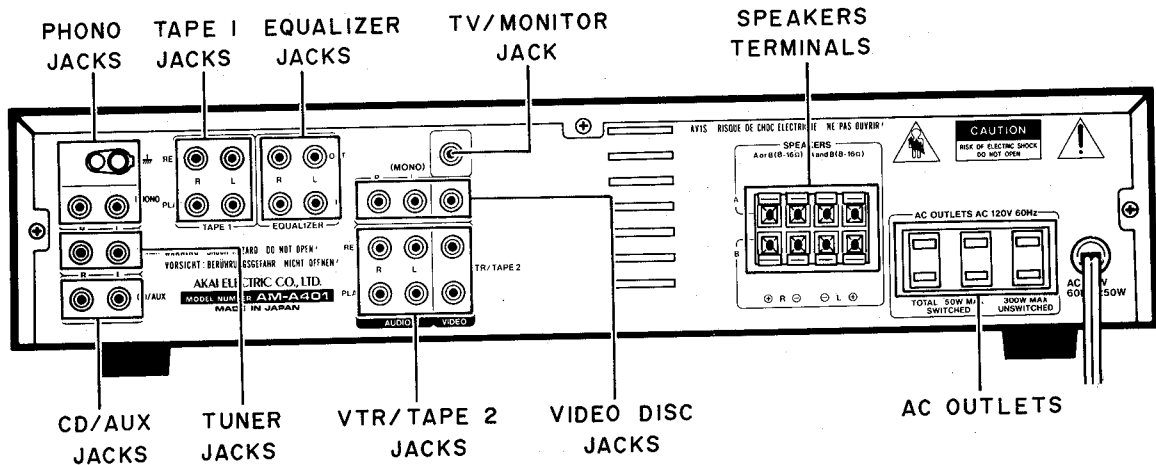
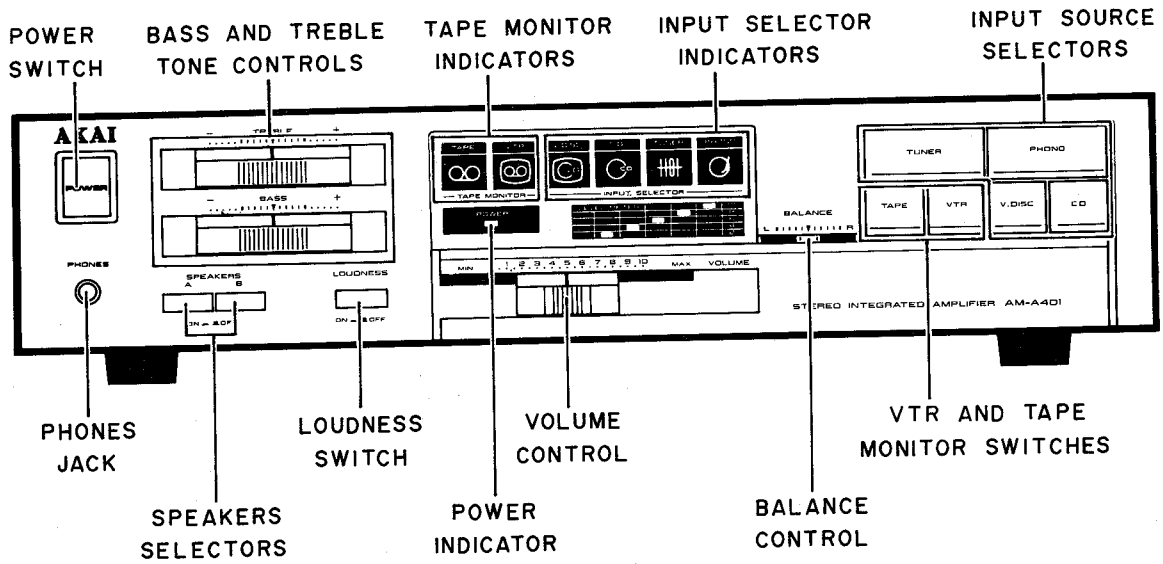
* For improvement purposes, specifications and design are subject to change without notice.

II. DISMANTLING OF UNIT

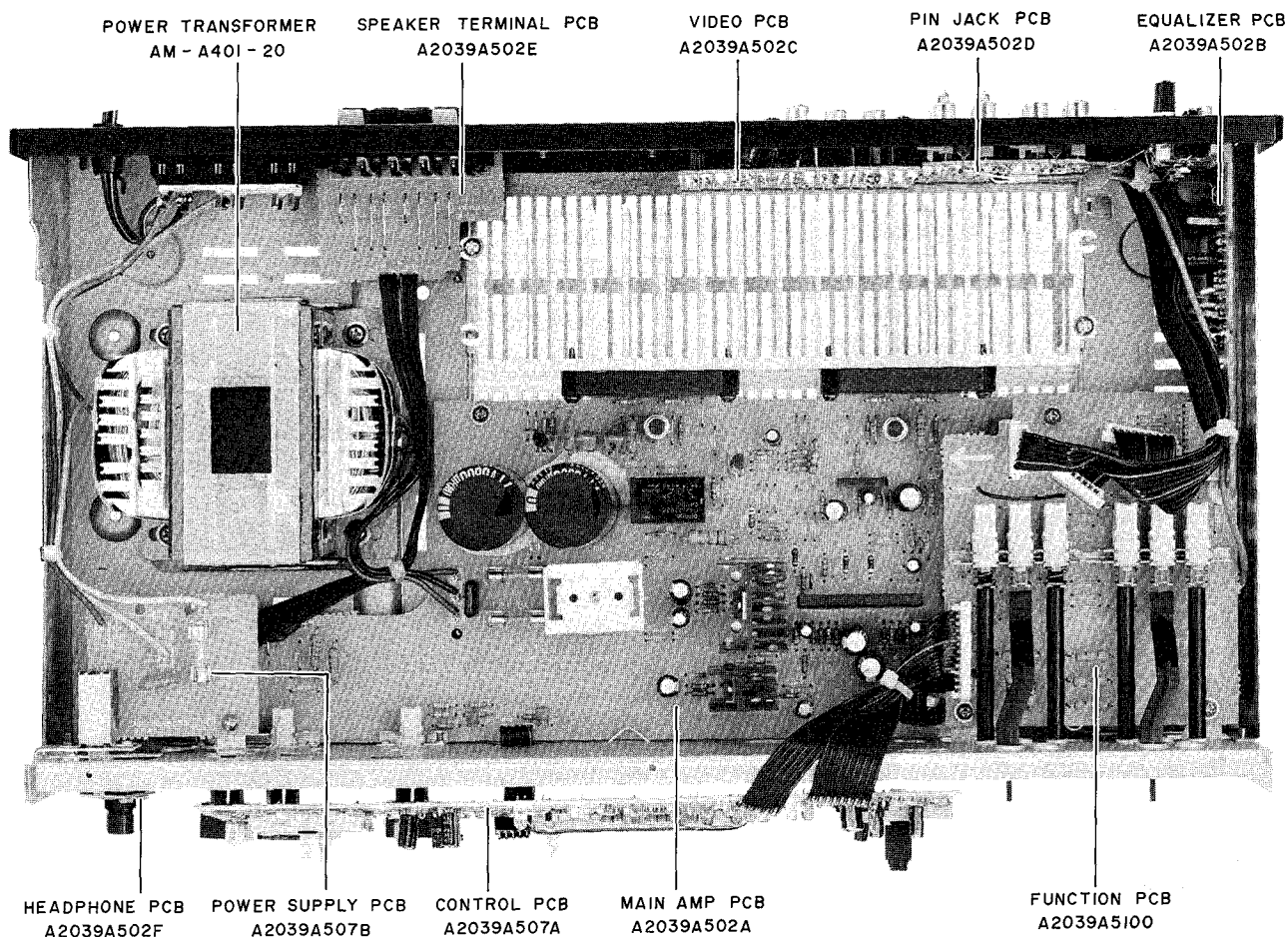
In case of trouble, etc. necessitating dismantling, please dismantle in the order shown in the photographs. Reassemble in reverse order.



III. CONTROLS

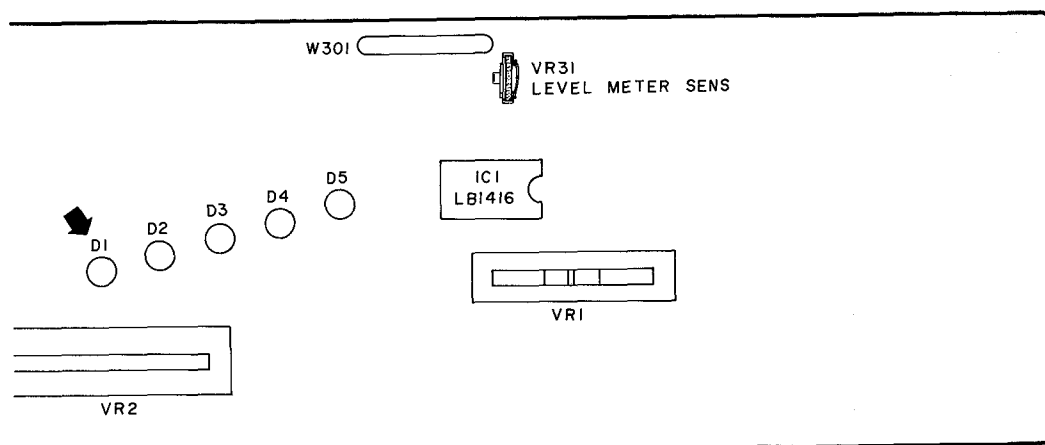


IV. PRINCIPAL PARTS LOCATION



V. ADJUSTMENT

5-1. LEVEL METER SENSITIVITY ADJUSTMENT



CONTROL PCB A2039A507A

Fig. 5-1 Control PCB

This adjustment is not necessary if the level meter shows no levels with no signal input.

However if the level meter shows some levels in spite of no signal input, adjust VR31 to the point where the first LED (D1) is extinguished.

VI. PC BOARD TITLES AND IDENTIFICATION NUMBERS

PC BOARD TITLE		PC BOARD NUMBER	REMARKS
MAIN AMP	PC BOARD	A2039A502A	A
EQUALIZER	PC BOARD	A2039A502B	A
VIDEO	PC BOARD	A2039A502C	A
PIN JACK	PC BOARD	A2039A502D	A
SPEAKER	PC BOARD	A2039A502E	A
HEADPHONE	PC BOARD	A2039A502F	A
CONTROL	PC BOARD	A2039A507A	A
POWER SUPPLY	PC BOARD	A2039A507B	A
FUNCTION	PC BOARD	A2039A5100	

SECTION 2

PARTS LIST

TABLE OF CONTENTS

RECOMMENDED SPARE PARTS	11
1. PC BOARD BLOCK	12
2. MAIN AMP PC BOARD	12
3. CONTROL PC BOARD	12
4. FUNCTION PC BOARD	12
5. EQUALIZER PC BOARD	12
6. VIDEO PC BOARD	12
7. PIN JACK PC BOARD	12
8. SPEAKER PC BOARD	13
9. HEAD PHONE PC BOARD	13
10. POWER SUPPLY PC BOARD	13
11. ASSEMBLY BLOCK	14
12. FINAL ASSEMBLY BLOCK	15
INDEX	16

Resistor and Capacitor which is not listed in this parts list, please refer to COMMON LIST FOR SERVICE PARTS.

ATTENTION

1. When placing an order for parts, be sure to list the parts no., model no., and description of each part. If any of this information is omitted, there are instances in which parts cannot be shipped or the wrong parts will be delivered.
2. Please be careful not to make a mistake in the parts no. If the parts no. is in error, a part different from the one ordered may be delivered.
3. Because part numbers and part definitions and supply in the Preliminary Parts List may have been the subject of changes, please use this parts list for all future reference.

HOW TO USE THIS PARTS LIST

1. This Parts List shows those parts which are considered necessary for repairs. Other parts, such as resistors and capacitors, are shown in the "Common List for Service Parts" from which these parts should be selected and parts.
2. The Recommended Spare Parts List shows those parts in the Parts List which are considered particularly important for service.
3. Parts not shown in the Parts List and "Common List for Service Parts" will not in principle be supplied.
4. How to read the parts list

a) Mechanism Block

b) P.C Board Block

2. HEAD BASE BLOCK

REF. NO.	PART NO.	DESCRIPTION
2-1x	BH-T2023A320A	HEAD BASE BLOCK GX-F66R
2-2	HP-H2206A010A	HEAD R/P PR4-8FU C
2-3	ZS-477876	PAN20x03STL CMT
2-4	ZS-536488	BID20x08STL CMT
2-5	ZG-402895	CS ANGLE ADJUST SPRING

SP (Service Parts) Classification

A small "x" indicates the inability to show that particular part in the Photo or Illustration.

This number corresponds with the individual parts index number in that figure

This number corresponds with the Figure Number

6. SYS. CON. P C BOARD BLOCK

REF. NO.	PART NO.	DESCRIPTION
6-1	BA-T2034A070A	PC SYS CON BLK GX-F44R
6-IC1	EI-324536	IC HD14049BP
6-IC2	EI-336801	IC MB8841-564M
6-IC3	EI-331661	IC SN7405N
6-IC4	EI-336725	IC M54527P
6-TR1to4	ET-200985	TR 2SC2603 F,G
6-TR5to28	ET-554657	TR 2SA733A P,Q
6-D1	ED-318292	D SILICON H 1S2473T-77 T26
6-D2to4	ED-308952	D GERMA V 1K34A-LR F07
6-D5to10	ED-318292	D SILICON H 1S2473T-77 T26
6-X1	EI-318384	OSC X'TAL NC-18C 3.579545MHZ

SP (Service Parts) Classification

These reference symbols correspond with component symbols in the Schematic Diagrams.

5. The kind of part and its installation position can both be determined by the Part Number. To determine where a part number is listed, utilize the Parts Index at the end of the Parts List. It is necessary first of all to find the Part Number. This can be accomplished by using the Reference Number listed at the right of the part number in the Parts Index.

WARNING

⚠ INDICATES SAFETY CRITICAL COMPONENTS. FOR CONTINUED SAFETY, REPLACE SAFETY CRITICAL COMPONENTS ONLY WITH MANUFACTURE'S RECOMMENDED PARTS

AVERTISSEMENT

⚠ IL INDIQUE LES COMPOSANTS CRITIQUES DE SÉCURITÉ. POUR MAINTENIR LE DEGRÉ DE SÉCURITÉ DE L'APPAREIL, NE REMPLACER QUE DES PIÈCES RECOMMANDÉES PAR LE FABRICANT

RECOMMENDED SPARE PARTS

Because, if the parts listed below are on hand, almost any repair can be accomplished, we suggest that you stock these Recommended Spare Parts Items.

REF. NO.	PART NO.	DESCRIPTION
1 N	BT-360272	△ TRANS POWER AM-A401-20(A)
2	ED-200749	△ D SILICON DBA60-K15 400/6.0A
3	ED-328486	△ D ZENER H HZ15 3
4	ED-355605	D LED AY5525S AMBER
5	ED-356424	D LED BG5525S GREEN
6	ED-356421	D LED BR5505S RED
7	ED-348990	D SILICON H DS446
8	ED-301911	D SILICON H DS448
9	ED-348205	D SILICON V MC931 DOUBLE
10	ED-346618	D ZENER H HZ15 1
11	EF-346139	△ FUSE TSC 125V 5.00A
12	EF-345658	△ FUSE TSC 125V 8.00A
13	EI-337228	△ IC M5218L
14	EI-351507	△ IC STK1070A
15	EI-359415	△ IC STK3062-3
16	EI-358562	IC LB1416
17	EI-349719	IC M5218P
18	EI-344764	IC M5218P-21
19	EI-354080	IC UPC1237H
20	EQ-337159	△ RELAY POW 64Z-2282P 2NO 24V
21	ER-318248	△ R FUSE ERD2FC S10 1/4W 47R0G
22	ER-331188	△ R FUSE ERD2FC S10 1/4W 8R2J
23	ER-328278	△ R FUSE ERD2FC 1/4W 10R0G
24	ES-337902	△ SW PUSH SDLD1P002 01-1
25	ES-358556	SW PUSH ESB-621519 2 THROW
26	ES-358555	SW PUSH ESB-62672 2-20-02S
27	ES-358564	SW PUSH ESB-62969 6 THROW
28	ET-347026	△ TR 2SB507HP E,F
29	ET-344176	△ TR 2SD313HP F
30	ET-355216	TR 2SA1317 T,U
31	ET-305463	TR 2SA970 GR,BL
32	ET-307195	TR 2SC2240 GR,BL
33	ET-308141	TR 2SC2603 G
34	ET-360067	TR 2SC3330 T,U
35	EV-358539	VR SLIDE 25P1SV0F W105
36	EV-358541	VR SLIDE 25P2SV C104
37	EV-358563	VR SLIDE 60P2SVOM B254

“NOTE” N: New Parts

1. PC BOARD BLOCK

REF. NO.	PART NO.	DESCRIPTION
1-1	BA-A2039A020E	PC MAIN BLK AM-A301(A)
1-2	BA-A2039A030B	PC CONTROL BLK AM-A301(C,A)

PC MAIN BLK consists of following PC BOARDS.

- MAIN AMP PC BOARD
- EQUALIZER PC BOARD
- VIDEO PC BOARD
- PIN JACK PC BOARD
- SPEAKER TERMINAL PC BOARD
- HEAD PHONE PC BOARD

PC CONTROL BLK consists of following PC BOARDS.

- CONTROL PC BOARD
- POWER SUPPLY PC BOARD

2. MAIN AMP PC BOARD

REF. NO.	PART NO.	DESCRIPTION
MAIN AMP PC BOARD		
2-IC1	EI-359415	△ IC STK3062-3
2-IC3	EI-337228	IC M5218L0
2-IC4	EI-354080	IC PUC1237H
2-TR1	ET-307195	TR 2SC2240 GR,BL
2-TR2	ET-305463	TR 2SA970 GR,BL
2-TR3	ET-344176	△ TR 2SD313HP F
2-TR4	ET-347026	△ TR 2SB507HP E,F
2-D1	ED-348990	D SILICON H DS446
2-D2	ED-348990	D SILICON H DS446
2-D3	ED-348990	D SILICON H DS446
2-D4	ED-348990	D SILICON H DS446
2-D5	ED-328486	△ D ZENER H HZ15 3
2-D6	ED-328486	△ D ZENER H HZ15 3
2-D7	ED-200749	△ D SILICON DBA-60-K15 400/6.0A
2-SW1	ES-358555	SW PUSH ESB-62672 2-02-02S
2-SW2	ES-358556	SW PUSH ESB-621519 2 THROW
2-RL1	EQ-337159	△ RELAY POW G4Z-2282P 2NO 24V
2-L1	EO-337880	COIL FIX 2 202AK-018 2R2K
2-FR1	ER-318248	△ R FUSE ERD2FC S10 1/4W 47R0G
2-FR2	ER-318248	△ R FUSE ERD2FC S10 1/4W 47R0G
2-FR3	ER-331188	△ R FUSE ERD2FC S10 1/4W 8R2J
2-FR4	ER-328278	△ R FUSE ERD2FC 1/4W 10R0G
2-R12	ER-337754	△ R OMF H S15 FS 1W 100J
2-R13	ER-337754	△ R OMF H S15 FS 1W 100J
2-R21	ER-333618	△ R CB H S15 FS RDS 1/2W 153J
2-R23	ER-322361	△ R OMF H S20 FS 2W 102J
2-R25	ER-355148	△ R OMF H S15 FS 2W 331J
2-R26	ER-328069	△ R CB H S10 FS RDS 1/4W 2R7J
2-R29	ER-333352	△ R CB H S10 FS RDS 1/4W 6R8J
2-C4	EC-324074	C EC V CUT SM101M 63.0DC
2-C5	EC-324074	C EC V CUT SM 101M 63.0DC
2-C9	EC-325320	C EC V F05 NP AWA 2R2M 50DC
2-C10	EC-325320	C EC V F05 NP AWA 2R2M 50DC
2-C14	EC-311689	C EC V CUT NP 04D 331M 6.3DC
2-C20	EC-360273	C EC V CUT SM 682M 71.0DC
2-C23	EC-360273	C EC V CUT SM 682M 71.0DC
2-C24	EC-326583	C MMY V CUT CF921 473K 400DC
ASSEMBLY BLOCK		
2-IC2	EI-351507	△ IC STK1070A
2-F3	EF-345658	△ FUSE TSC 125V 8.00A
2-F4	EF-345658	△ FUSE TSC 125V 8.00A

3. CONTROL PC BOARD

REF. NO.	PART NO.	DESCRIPTION
3-IC1	EI-358562	IC LB1416
3-IC2	EI-337228	IC M5218L0
3-TR1	ET-355216	TR 2SA1317 T,U
3-TR2	ET-360067	TR 2SC3330 T,U
3-D1	ED-356424	D LED BG5525S GREEN
3-D2	ED-356424	D LED BG5525S GREEN
3-D3	ED-356424	D LED BG5525S GREEN
3-D4	ED-356421	D LED BR5505S RED
3-D5	ED-356421	D LED BR5505S RED
3-D6	ED-356424	D LED BG5525S GREEN
3-D7	ED-356424	D LED BG5525S GREEN
3-D8	ED-356424	D LED BG5525S GREEN
3-D9	ED-356424	D LED BG5525S GREEN
3-D10	ED-355605	D LED AY5525S AMBER
3-D11	ED-355605	D LED AY5525S AMBER
3-D12	ED-356421	D LED BR5505S RED
3-D13	ED-346618	D ZENER H HZ15 1
3-D14	ED-348205	D SILICON V MC931 DOUBLE
3-VR1	EV-358539	VR SLIDE 25P1SVOF W105
3-VR2	EV-358563	VR SLIDE 60P2SVOM B254
3-VR3	EV-358541	VR SLIDE 25P2SV C104
3-VR4	EV-358541	VR SLIDE 25P2SV C104
3-R8	ER-333680	△ R CB H S15 FS RDS 1/2W 560J
3-R14	ER-663502	R CB H RD 1/2W 222J
3-R29	ER-333680	△ R CB H S15 FS RDS 1/2W 560J

4. FUNCTION PC BOARD

REF. NO.	PART NO.	DESCRIPTION
4-SW1	ES-358564	SW PUSH ESB-62969 6 THROW
4-R1	ER-321153	△ R OMF H S15 FS 1W 102J
4-R2	ER-321153	△ R OMF H S15 FS 1W 102J
4-R3	ER-321153	△ R OMF H S15 FS 1W 102J
4-R4	ER-321153	△ R OMF H S15 FS 1W 102J
4-R5	ER-321153	△ R OMF H S15 FS 1W 102J
4-R6	ER-321153	△ R OMF H S15 FS 1W 102J

5. EQUALIZER PC BOARD

REF. NO.	PART NO.	DESCRIPTION
5-IC1	EI-344764	IC M5218P-21
5-R9	ER-324935	△ R CB H S15 FS RDS 1/2W 181J
5-P1	EJ-336904	PIN J AJC-036-ACB P 6P

6. VIDEO PC BOARD

REF. NO.	PART NO.	DESCRIPTION
6-IC1	EI-353852	IC LA7016
6-TR1	ET-308141	TR 2SC2603 G
6-TR2	ET-308141	TR 2SC2603 G
6-TR3	ET-308141	TR 2SC2603 G
6-TR4	ET-308141	TR 2SC2603 G
6-D1	ED-301911	D SILICON H DS448
6-R7	ER-322591	△ R CB H S10 FS RDS 1/4W 101J
6-R8	ER-322591	△ R CB H S10 FS RDS 1/4W 101J
6-J1	EJ-358561	PIN J LAP0020-0015R 10P

7. PIN JACK PC BOARD

REF. NO.	PART NO.	DESCRIPTION
7-IC1	EI-349719	IC M5218P
7-P1	EJ-343365	PIN J YMC21-0063 P 4P
7-P2	EJ-343365	PIN J YMC21-0063 P 4P

8. SPEAKER PC BOARD

REF. NO.	PART NO.	DESCRIPTION
8-TM1	EJ-349401	TERMINAL LEVER YKD21-0027 8P

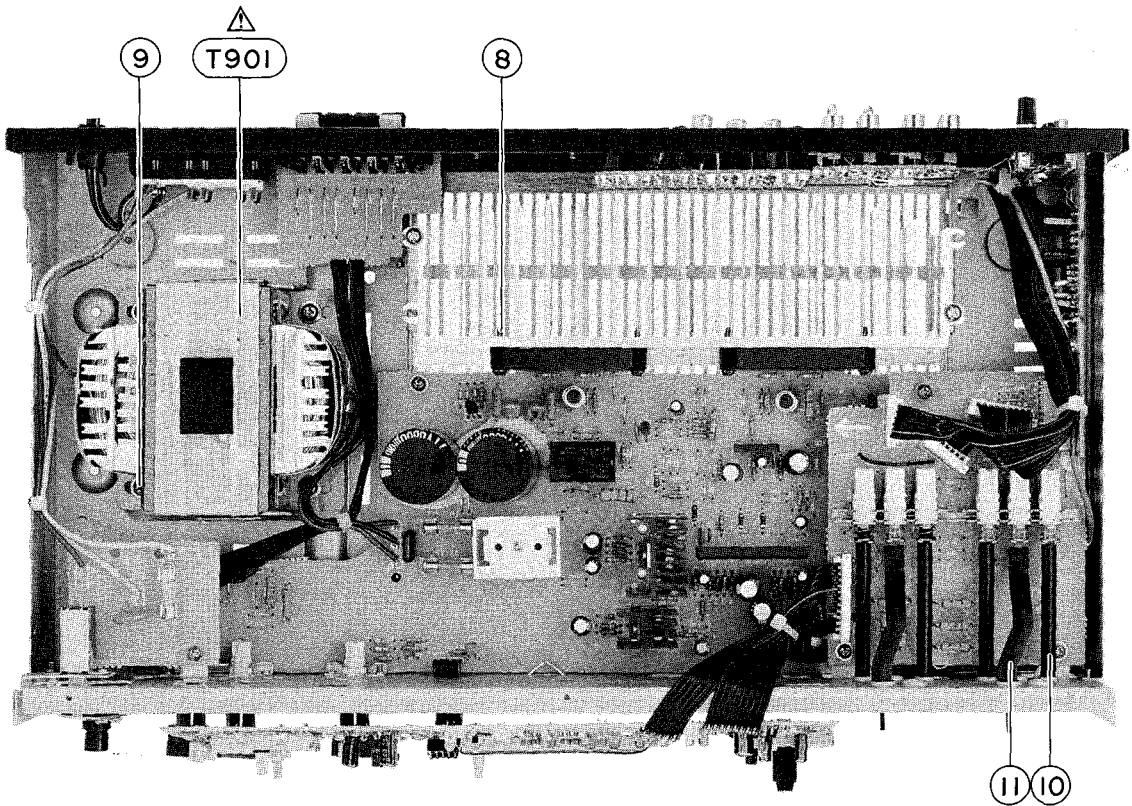
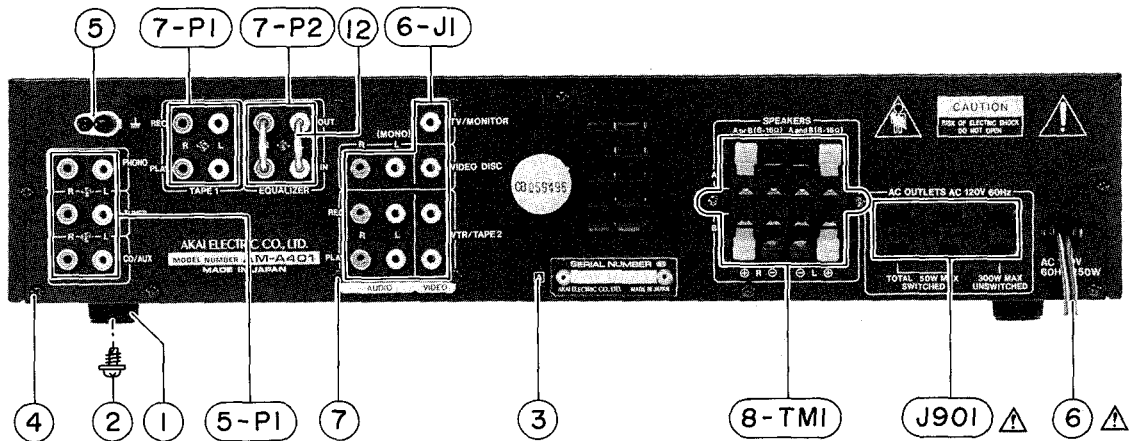
9. HEAD PHONE PC BOARD

REF. NO.	PART NO.	DESCRIPTION
9-J1	EJ-358535	PHONE J 3P M1669-ACCB 6.3

10. POWER SUPPLY PC BOARD

REF. NO.	PART NO.	DESCRIPTION
		POWER SUPPLY PC BOARD
10-SW1	ES-337902	△ SW PUSH SDDL1P002 01-1
10-C1	EC-338411	△ C CE V FZ 103P 400AC
		ASSEMBLY BLOCK
10-F1	EF-346139	△ FUSE TSC 125V 5.00A

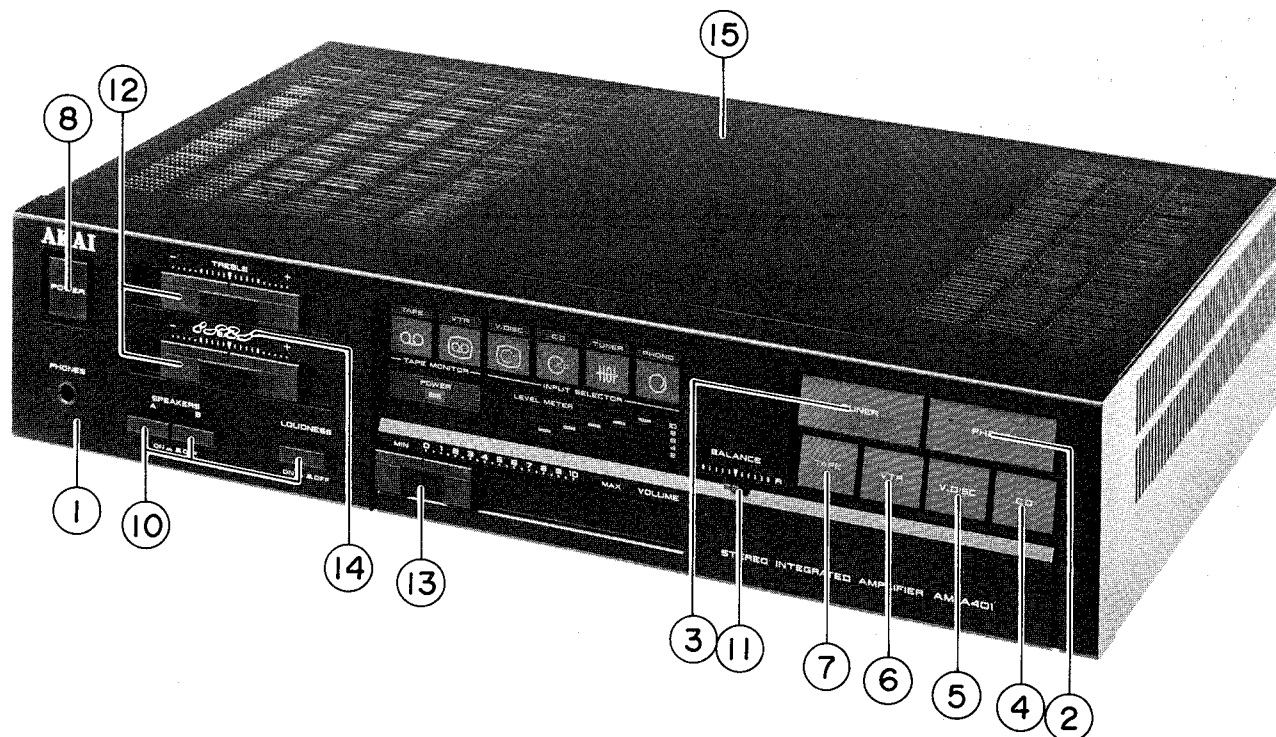
ASSEMBLY BLOCK



11. ASSEMBLY BLOCK

REF. NO.	PART NO.	DESCRIPTION	REF. NO.	PART NO.	DESCRIPTION
			11-12	EJ-348218	PLUG SHORT PIN P2138
			11-T901	BT-360272	⚠ TRANS POWER AM-A401-20(A)
			11-J901	EJ-352642	⚠ SOCKET OUTLET S2T733T114T
					EQUALIZER PC BOARD
11-1	SA-332850	ROUND FOOT	5-P1	EJ-336904	PIN J AJC-036-ACB P 6P
11-2	ZS-331567	T2BR 30x08STL CMT C080 [FOOT FIX]			VIDEO PC BOARD
11-3	SP358485P	PANEL REAR AM-A401(A)	6-J1	EJ-358561	PIN J LAP0020-0015R 10P
11-4	ZS-308846	T2BR 30x08STL BZN PROJECTION [PANEL REAR FIX]			PIN JACK PC BOARD
11-5	EJ-329610	TERMINAL W/SCREW UB-0067 L 1P	7-P1	EJ-343365	PIN J YMC21-0063 P 4P
11-6	EW-358515	⚠ AC CORD 2 CORES KP-8W, SPT-1-CB UC	7-P2	EJ-343365	PIN J YMC21-0063 P 4P
11-7	ZW-698308	RV NYL30x055 BL			SPEKAER PC BORAD
11-8	ZS-321279	T2BR 30x18STL CMT [IC FIX]	8-TM1	EJ-349401	TERMINAL LEVER YKD21-0027 8P
11-9	ZS-346742	ST BID 40x08STL CMT CUP [POWER TRANS FIX]			
11-10	TA-358475	JOINT (A)			
11-11	TA-358473A	JOINT (B)-1			

FINAL ASSEMBLY BLOCK



12. FINAL ASSEMBLY BLOCK

REF. NO.	PART NO.	DESCRIPTION
PANEL FRONT BLOCK		
12-1	BD-A2039A050C	PANEL FRONT BLK AM-A401
12-1B	BD-A2039A050D	PANEL FRONT BLK AM-A401-B
12-2	SK-358482E	KNOB (A) PHONO
12-2B	SK-358482A	KNOB (A)-B PHONO
12-3	SK-358482F	KNOB (A) TUNER
12-3B	SK-358482B	KNOB (A)-B TUNER
12-4	SK-358483E	KNOB (B) CD/AUX
12-4B	SK-358483A	KNOB (B)-B CD/AUX
12-5	SK-358483F	KNOB (B) V. DISC
12-5B	SK-358483B	KNOB (B)-B V. DISC
12-6	SK-358483G	KNOB (B) VTR/TAPE2
12-6B	SK-358483C	KNOB (B)-B VTR/TAPE2
12-7	SK-358483H	KNOB (B) TAPE1
12-7B	SK-358483D	KNOB (B)-B TAPE1
12-8	SK-343017C	KNOB POWER (2)
12-8B	SK-343017F	KNOB POWER-B
FINAL ASSEMBLY BLOCK		
12-9x	ZS-498273	T2BR30x08STL CMT PW080 [PANEL FRONT FIX]
12-10	SK-358479B	KNOB (F-2)
12-10B	SK-358479A	KNOB (F-1)
12-11	SK-358477B	KNOB (C-2)
12-11B	SK-358477A	KNOB (C-1)
12-12	SK-358480B	KNOB (E-2)
12-12B	SK-358480A	KNOB (E-1)
12-13	SK-358474B	KNOB (D-2)
12-13B	SK-358474A	KNOB (D-1)
12-14	ZG-360943	SP TONE
12-15	SP-349925A	COVER UPPER
12-15B	SP-349925C	COVER UPPER-B

NOTE:

PANEL FRONT BLK consists of 12-2 to 12-8B.

SYMBOL FOR COLOR VARIATION

NON : STANDARD COLOR

B or BL : BLACK

INDEX

PART NO.	REF. NO.	PART NO.	REF. NO.	PART NO.	REF. NO.	PART NO.	REF. NO.	PART NO.	REF. NO.
BA-A2039A020E	1-1	ER-355148	2-R25						
BA-A2039A030B	1-2	ER-663502	3-R14						
BD-A2039A050C	12-1	ES-337902	10-SW1						
BD-A2039A050D	12-1B	ES-358555	2-SW1						
BT-360272	11-T901	ES-358556	2-SW2						
EC-311689	2-C14	ES-358564	4-SW1						
EC-324074	2-C5	ET-305463	2-TR2						
EC-324074	2-C4	ET-307195	2-TR1						
EC-325320	2-C9	ET-308141	6-TR1						
EC-325320	2-C10	ET-308141	6-TR2						
EC-326583	2-C24	ET-308141	6-TR3						
EC-338411	10-C1	ET-308141	6-TR4						
EC-360273	2-C20	ET-344176	2-TR3						
EC-360273	2-C23	ET-347026	2-TR4						
ED-200749	2-D7	ET-355216	3-TR1						
ED-301911	6-D1	ET-360067	3-TR2						
ED-328486	2-D5	EV-358539	3-VR1						
ED-328486	2-D6	EV-358541	3-VR4						
ED-346618	3-D13	EV-358541	3-VR3						
ED-348205	3-D14	EV-358563	3-VR2						
ED-348990	2-D1	EW-358515	11-6						
ED-348990	2-D2	SA-332850	11-1						
ED-348990	2-D4	SK-343017C	12-8						
ED-348990	2-D3	SK-343017F	12-8B						
ED-355605	3-D11	SK-358474A	12-13B						
ED-355605	3-D10	SK-358474B	12-13						
ED-356421	3-D4	SK-358477A	12-11B						
ED-356421	3-D5	SK-358477B	12-11						
ED-356421	3-D12	SK-358479A	12-10B						
ED-356424	3-D1	SK-358479B	12-10						
ED-356424	3-D3	SK-358480A	12-12B						
ED-356424	3-D2	SK-358480B	12-12						
ED-356424	3-D6	SK-358482A	12-2B						
ED-356424	3-D7	SK-358482B	12-3B						
ED-356424	3-D8	SK-358482E	12-2						
ED-356424	3-D9	KS-358482F	12-3						
EF-345658	2-F3	SK-358483A	12-4B						
EF-345658	2-F4	SK-358483B	12-5B						
EF-346139	10-F1	SK-358483C	12-6B						
EI-337228	2-IC3	SK-358483D	12-7B						
EI-337228	3-IC2	SK-358483E	12-4						
EI-344764	5-IC1	SK-358483F	12-5						
EI-349719	7-IC1	SK-358483G	12-6						
EI-351507	2-IC2	SK-358483H	12-7						
EI-353852	6-IC1	SP-349925A	12-15						
EI-354080	2-IC4	SP-349925C	12-15B						
EI-358562	3-IC1	SP-358485P	11-3						
EI-359415	2-IC1	TA-358473A	11-11						
EJ-329610	11-5	TA-358475	11-10						
EJ-336904	5-P1	ZG-360943	12-14						
EJ-343365	7-P1	ZS-308846	11-4						
EJ-343365	7-P2	ZS-321279	11-8						
EJ-348218	11-12	ZS-331567	11-2						
EJ-349401	8-TM1	ZS-346742	11-9						
EJ-352642	11-J901	ZS-498273	12-9x						
EJ-358535	9-J1	ZW-698308	11-7						
EJ-358561	6-J1								
EO-337880	2-L1								
EQ-337159	2-RL1								
ER-318248	2-FR1								
ER-318248	2-FR2								
ER-321153	4-R1								
ER-321153	4-R2								
ER-321153	4-R3								
ER-321153	4-R4								
RR-321153	4-R5								
ER-321153	4-R6								
ER-322361	2-R23								
ER-322591	6-R7								
ER-322591	6-R8								
ER-324935	5-R9								
ER-328069	2-R26								
ER-328278	2-FR4								
ER-331188	2-FR3								
ER-333352	2-R29								
ER-333618	2-R21								
ER-333680	3-R8								
ER-333680	3-R29								
ER-337754	2-R12								
ER-337754	2-R13								

AKAI

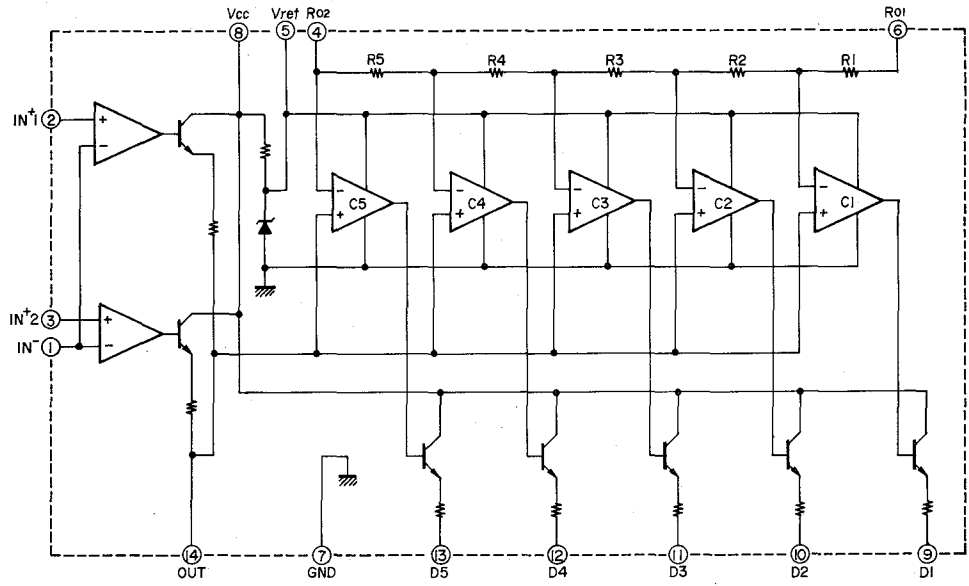
MODEL AM-A401

SCHEMATIC DIAGRAM AND PC BOARD

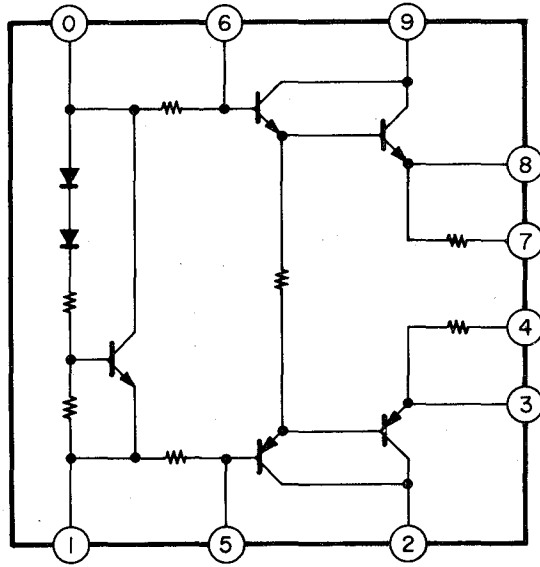
TABLE OF CONTENTS

1. IC'S	2
2. AM-A401 BLOCK DIAGRAM	3
3. AM-A401 SCHEMATIC DIAGRAM	4
4. CONTROL PCB, HEADPHONE PCB, MAIN AMP PCB, SPEAKER TERMINAL PCB	5
5. EQUALIZER PCB, FILTER PCB, FUNCTION PCB, PIN JACK PCB, POWER SUPPLY PCB, VIDEO PCB	6

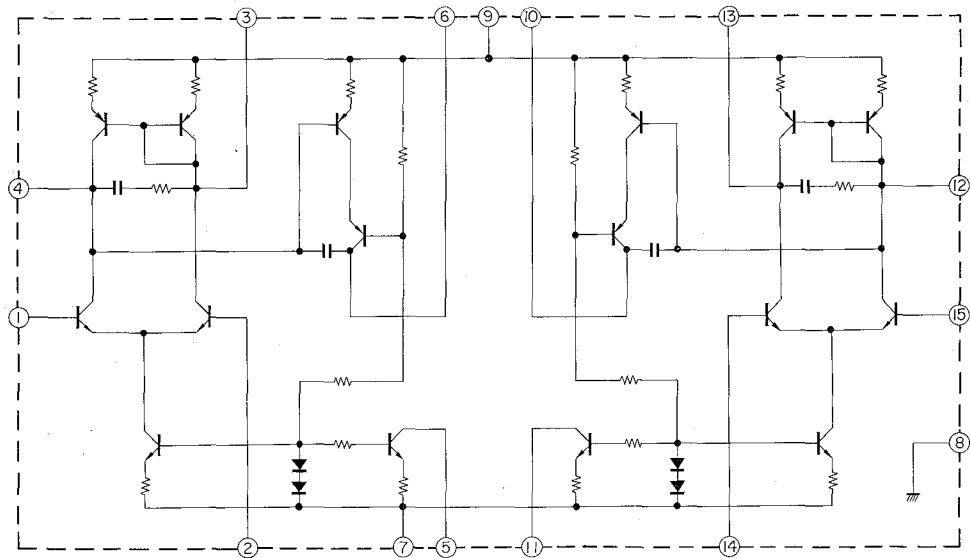
LB1416

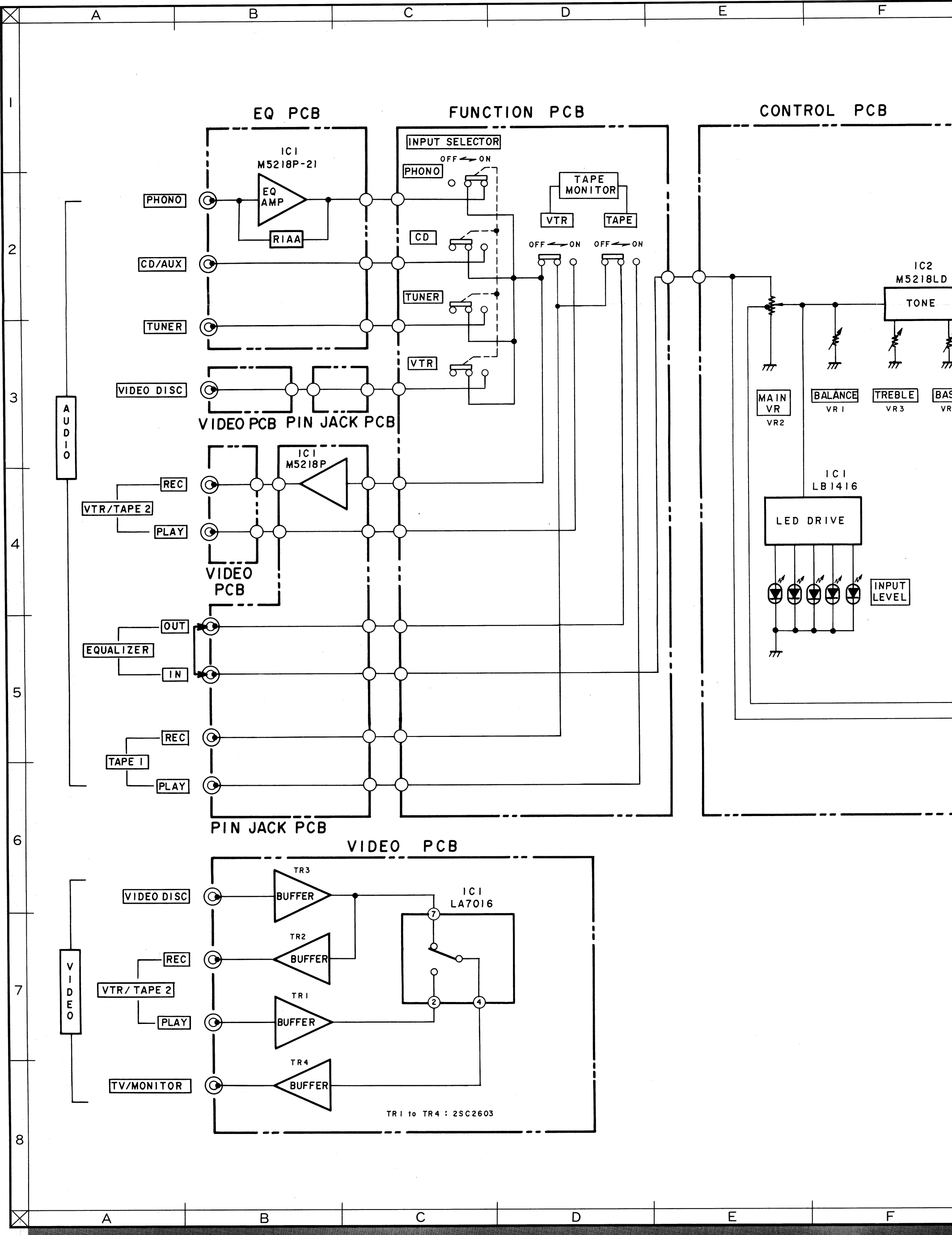


STK1070

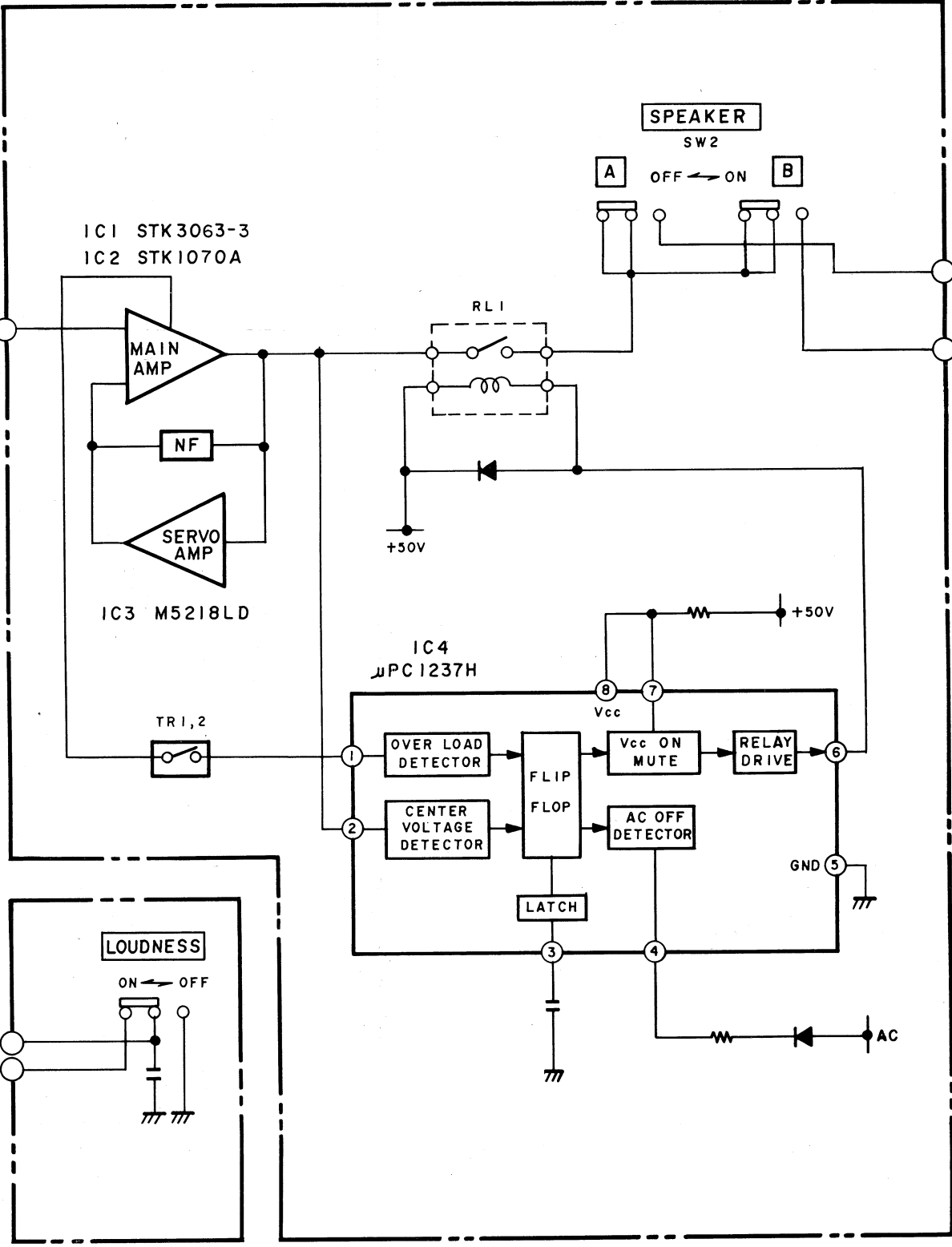
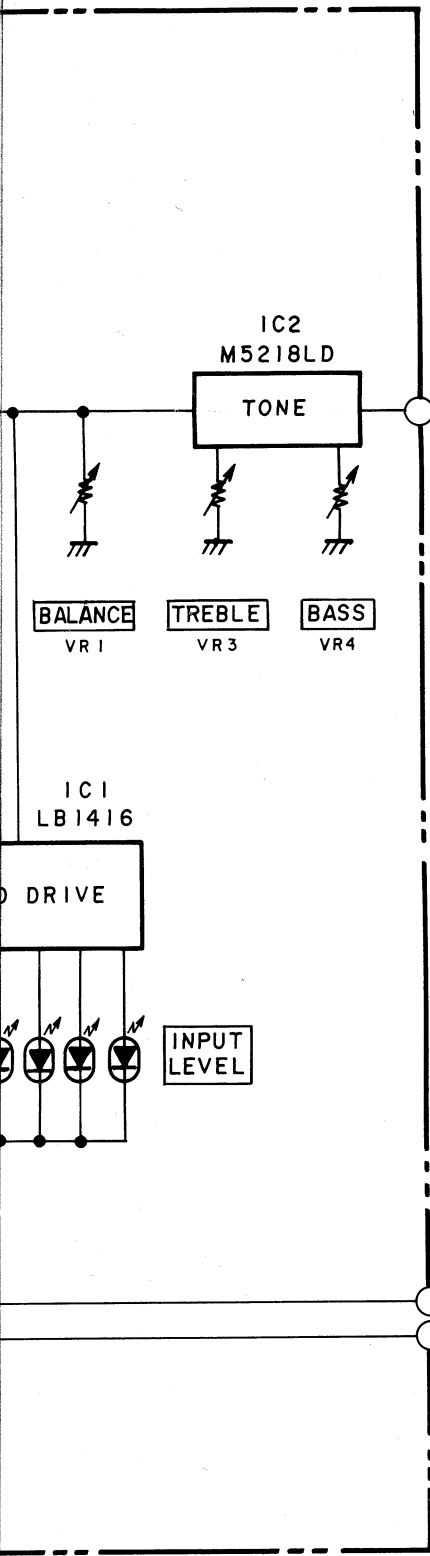


STK3062





CONTROL PCB



MAIN PCB

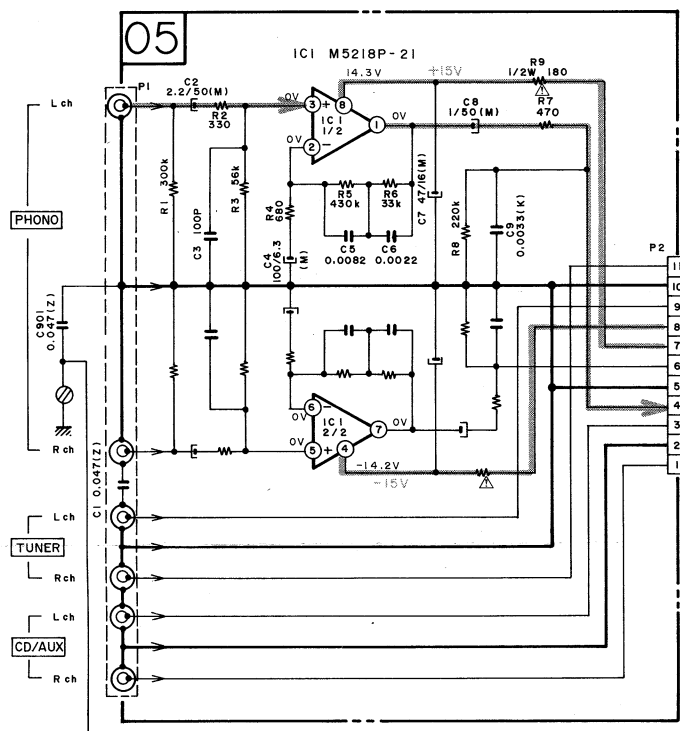
MAIN AMP PCB

AM-A401
BLOCK DIAGRAM
No. 850501B (A2)

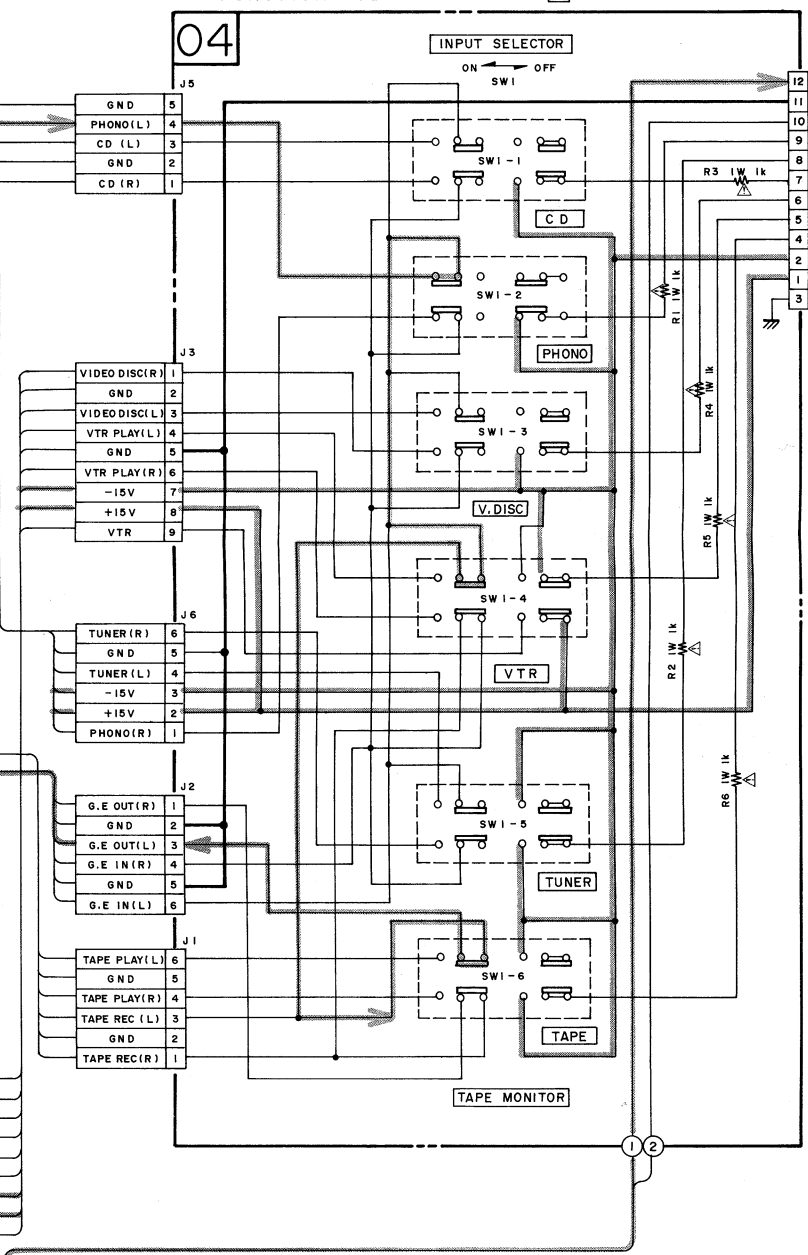
1
2
3
4
5
6
7
8

AM - A401

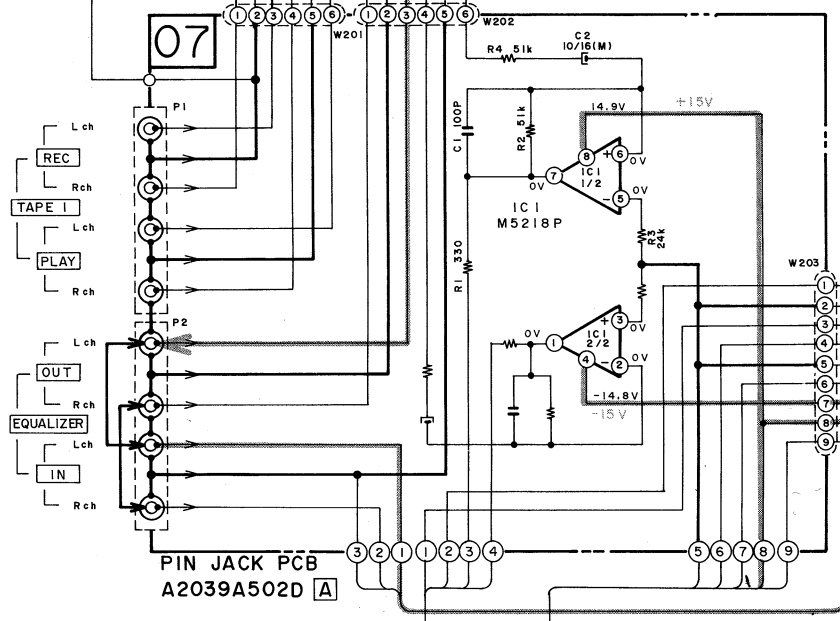
EQUALIZER PCB A2039A502B [A]



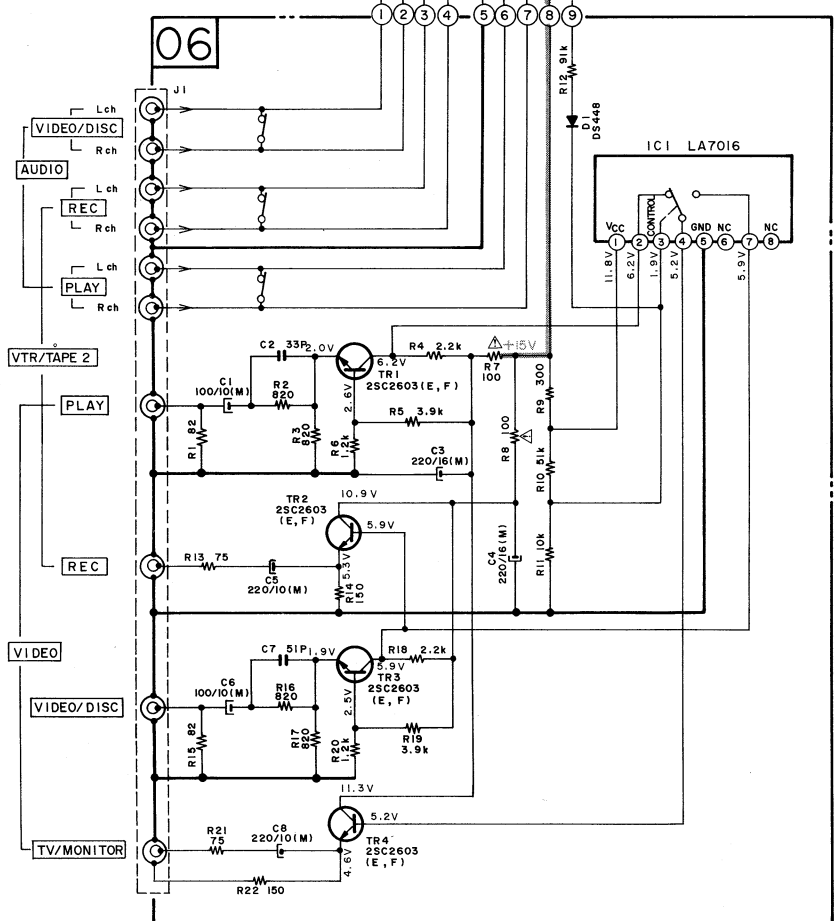
FUNCTION PCB A2039A5100 [A]



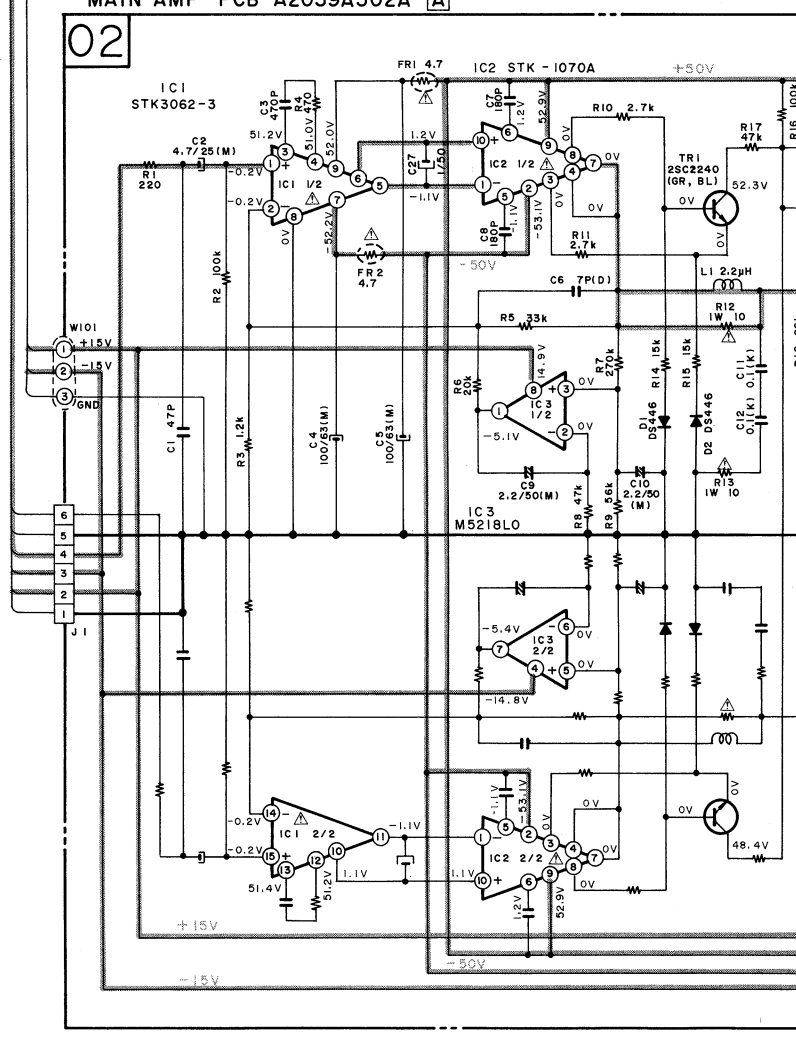
PIN JACK PCB A2039A502D [A]



VIDEO PCB A2039A502C [A]

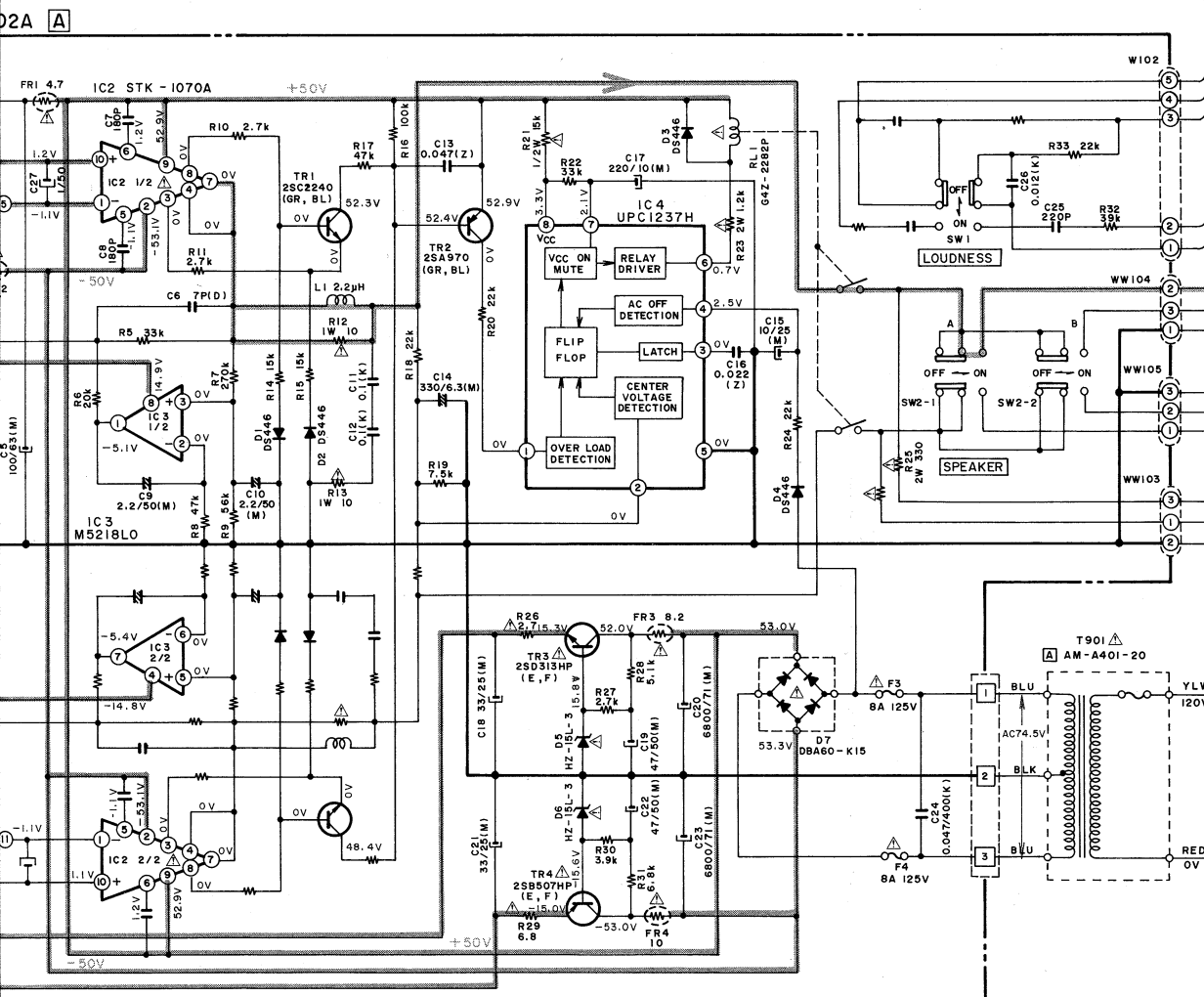
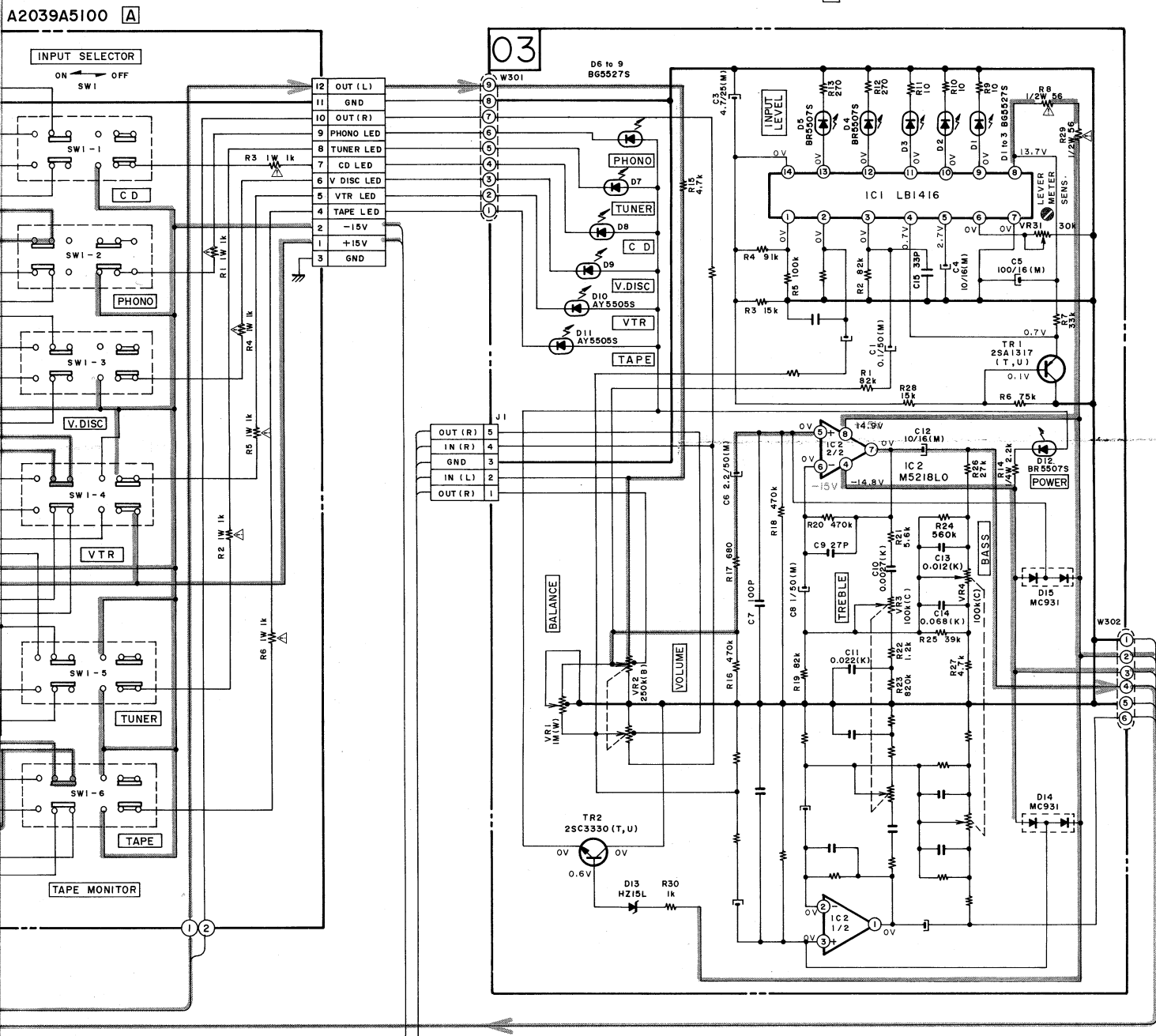


MAIN AMP PCB A2039A502A [A]

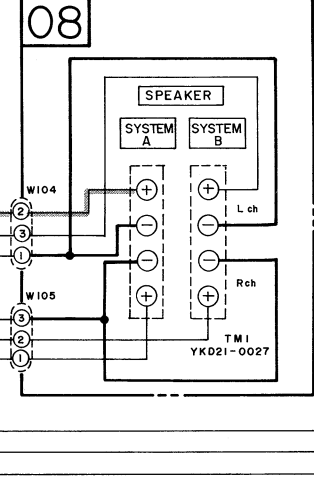


— B (POWER SUPPLY) LINE
 — SIGNAL LINE
 SIGNAL LINE IS INDICATED LEFT CHANNEL ONLY AT PHONO MODE.

CONTROL PCB A2039A507A [A]

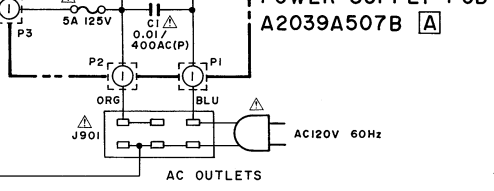


SPEAKER TERMINAL PCB A2039A502E [A]



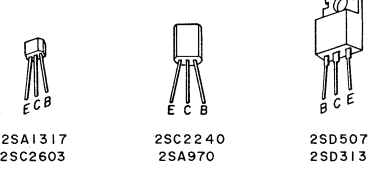
HEAD PHONE PCB A2039A502F [A]

POWER SUPPLY PCB A2039A507B [A]



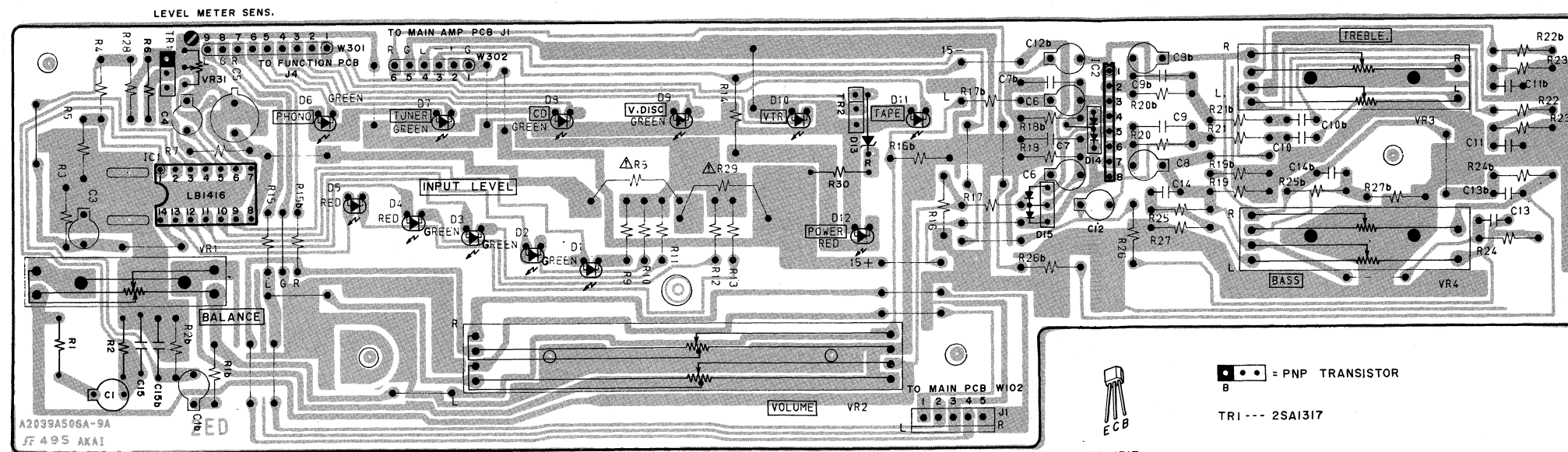
VOLTAGES ARE INDICATED AT NO SIGNAL INPUT.
NOTE
UNLESS OTHERWISE SPECIFIED
ALL RESISTORS IN OHMS 1/4W(J)
ALL CAPACITORS IN µF 50WV(J)
POWER TRANSFORMER IS DIFFERENT
ACCORDING TO AREA

WARNING: ⚠ INDICATES SAFETY CRITICAL COMPONENTS FOR CONTINUED SAFETY. REPLACE SAFETY CRITICAL COMPONENTS ONLY WITH MANUFACTURER'S RECOMMENDED PARTS.
AVERTISSEMENT: ⚠ IL INDIQUE LES COMPOSANTS CRITIQUES DE SÉCURITÉ. POUR MAINTENIR LE DEGRÉ DE SÉCURITÉ DE L'APPAREIL, NE REMPLACER QUE DES PIÈCES RECOMMANDÉES PAR LE FABRICANT

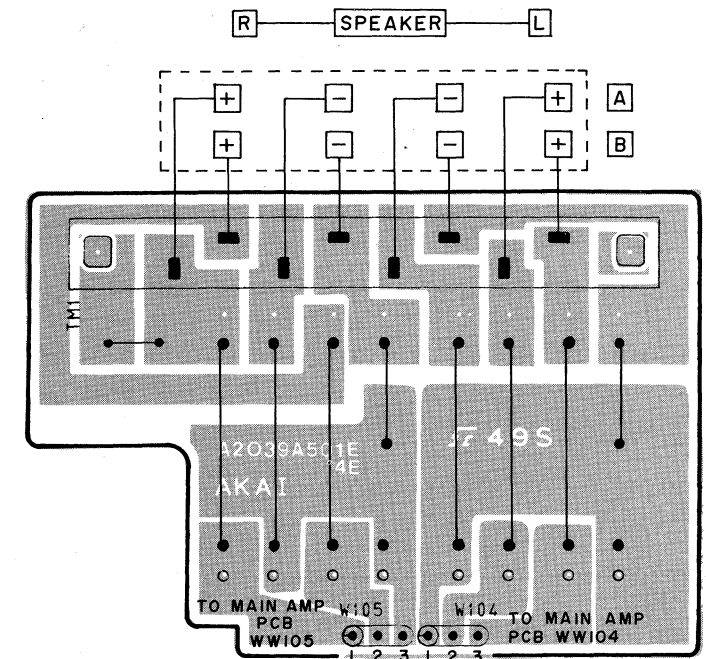
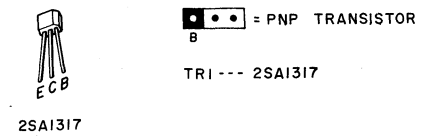


AM - A401 SCHEMATIC DIAGRAM No. 850502B

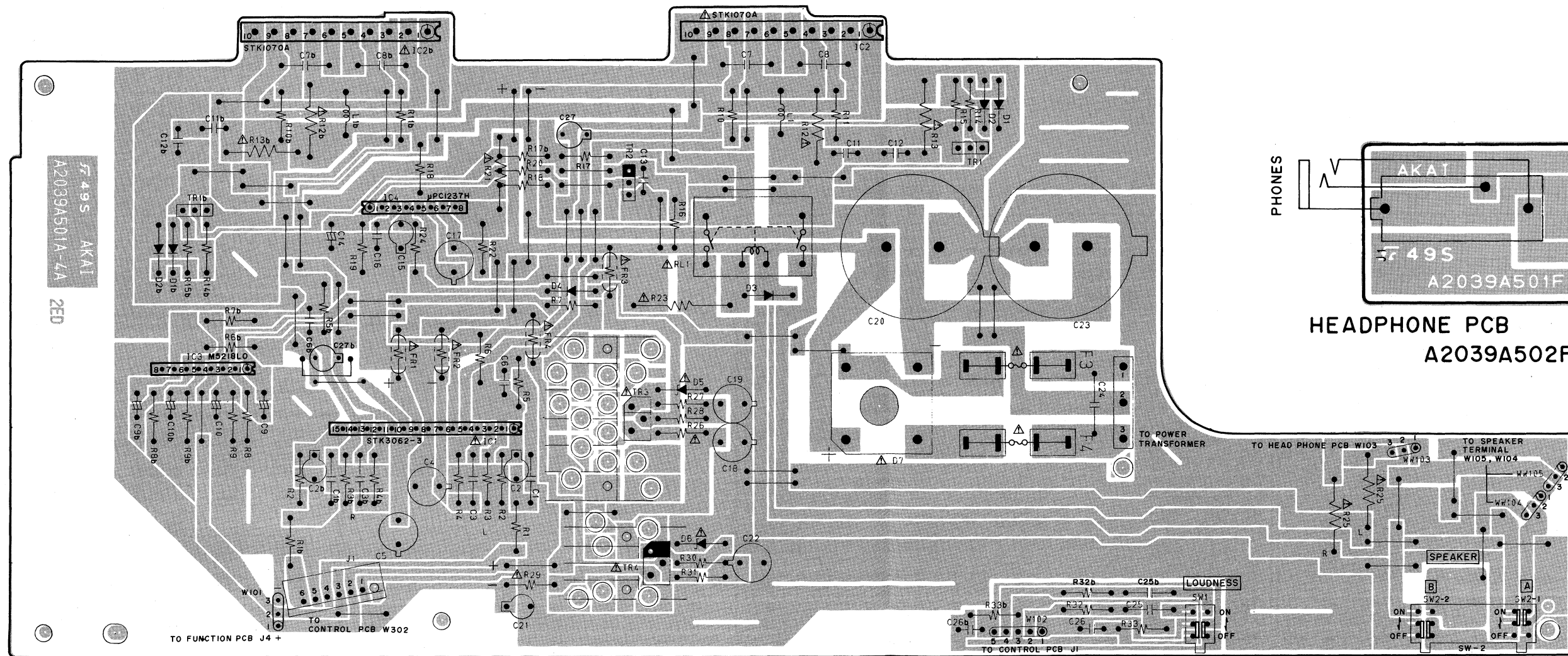
ATED LEFT CHANNEL ONLY



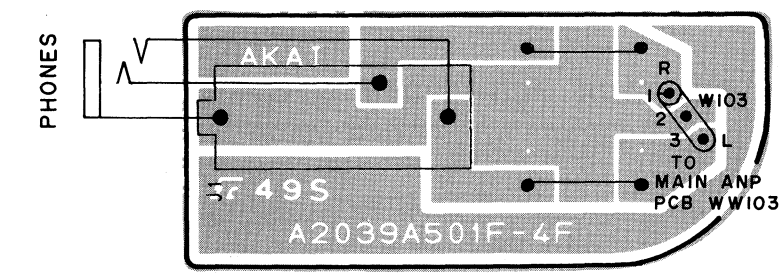
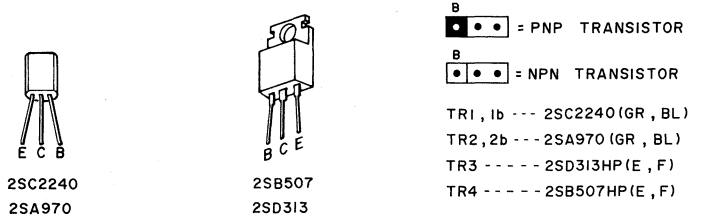
CONTROL PCB A2039A507A [A]



SPEAKER TERMINAL PCB A2039A502E [A]



MAIN AMP PCB A2039A502A [A]



HEADPHONE PCB A2039A502F [A]

WARNING: Δ INDICATES SAFETY CRITICAL COMPONENTS. FOR CONTINUED SAFETY, REPLACE SAFETY CRITICAL COMPONENTS ONLY WITH MANUFACTURER'S RECOMMENDED PARTS.
 AVERTISSEMENT: Δ IL INDIQUE LES COMPOSANTS CRITIQUES DE SÉCURITÉ. POUR MAINTENIR LE DEGRÉ DE SÉCURITÉ DE L'APPAREIL, NE REMPLACER QUE DES PIÈCES RECOMMANDÉES PAR LE FABRICANT.